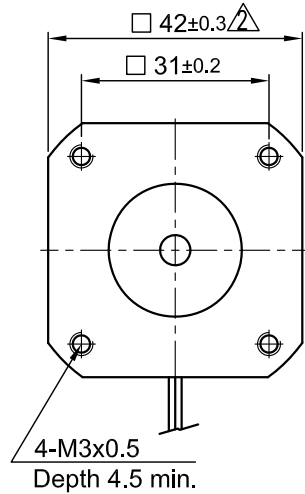
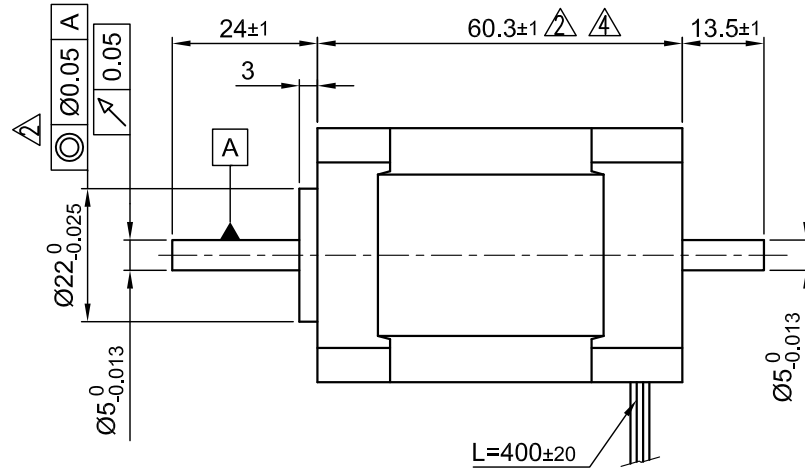


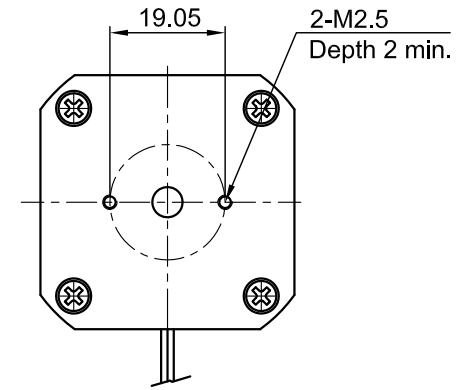
Front view and mounting



Side view

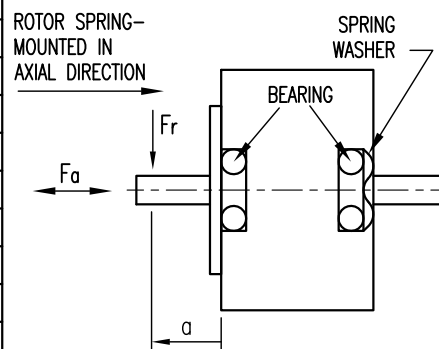


Rear view



SPECIFICATION	CONNECTION	DELTA
NO. OF POL./PHASE		8/3
VOLTAGE RATED (VDC)		24
CURRENT NO LOAD/RATED/PEAK (AMP)		0.25/3.47/10.6 $\Delta$
RESISTANCE/PHASE TO PHASE (Ohms) @25°C		0.8±15%
INDUCTANCE/PHASE TO PHASE (mH) @1KHz		1.2±20%
TORQUE RATED/PEAK (Nm) [lb-in]		0.125/0.38 [1.11/3.36]
TORQUE CONSTANT (Nm/A)		0.036 $\Delta$ $\Delta$
POWER RATED (W)		52 $\Delta$
SPEED RATED/NO LOAD (RPM) $\Delta$		4000/6700 $\Delta$
ROTOR INERTIA (Kg-m <sup>2</sup> ) [lb-in <sup>2</sup> ]		4.8x10 <sup>-6</sup> [0.0164]
WEIGHT (Kg) [lb]		0.45 [0.992]
TEMPERATURE RISE: MAX.80°C		
AMBIENT TEMPERATURE -10°~ 50°C [14°F ~ 122°F]		
INSULATION RESISTANCE 100 MOhm (UNDER NORMAL TEMPERATURE AND HUMIDITY)		
INSULATION CLASS B 130° [266°F]		
DIELECTRIC STRENGTH 500VAC FOR 1 MIN. (BETWEEN THE MOTOR COILS AND THE MOTOR CASE)		
AMBIENT HUMIDITY MAX. 85% (NO CONDENSATION)		

PERMISSIBLE RADIAL+AXIAL FORCE



AXIAL-FORCE Fa (N)	Fr=10	
DISTANCE a (mm)	20	
RADIAL-FORCE Fr (N)	28	
	AXIAL	RADIAL
SHAFT PLAY (mm)	0.08	0.02
AT LOAD MAX: (N)	4.5	4.5

		WIRING DIAGRAM									
		COLOR	FUNCTION	Dir.				LEAD GAUGE			
MOTOR 8 POL.	YEL	U	X	HI	HI	X	LOW	LOW	$\Delta$ UL1430 AWG20		
	RED	V	HI	X	LOW	LOW	X	HI			
	BLK	W	LOW	LOW	X	HI	HI	X			
HALL 24 IMPL. REV.	RED	+5V									$\Delta$ UL1430 AWG26
	BLU	H1	0	0	0	1	1	1			
	WHT	H2	0	1	1	1	0	0			
	GRN	H3	1	1	0	0	0	1			
	BLK	GND									
DELTA CONNECTING											

6	CHANGE POWER RATED	16.06.15	A.S.
5	UPDT. DATA	24.10.14	J.D.
4	NEW LENGTH	07.03.14	J.D.
REV	DESCRIPTION	DATE	DRN



DB42M03

SCALE FREE	APVD	S.Ha.	19.06.07
X ±0.5	CHKD		
1PL ±0.2	DRN	J.W.	19.04.07
2PL ±0.1	SIGNATURE	DATE	
ANGLE ±30'			

BRUSHLESS DC MOTOR

DWG.NO

DB42M03